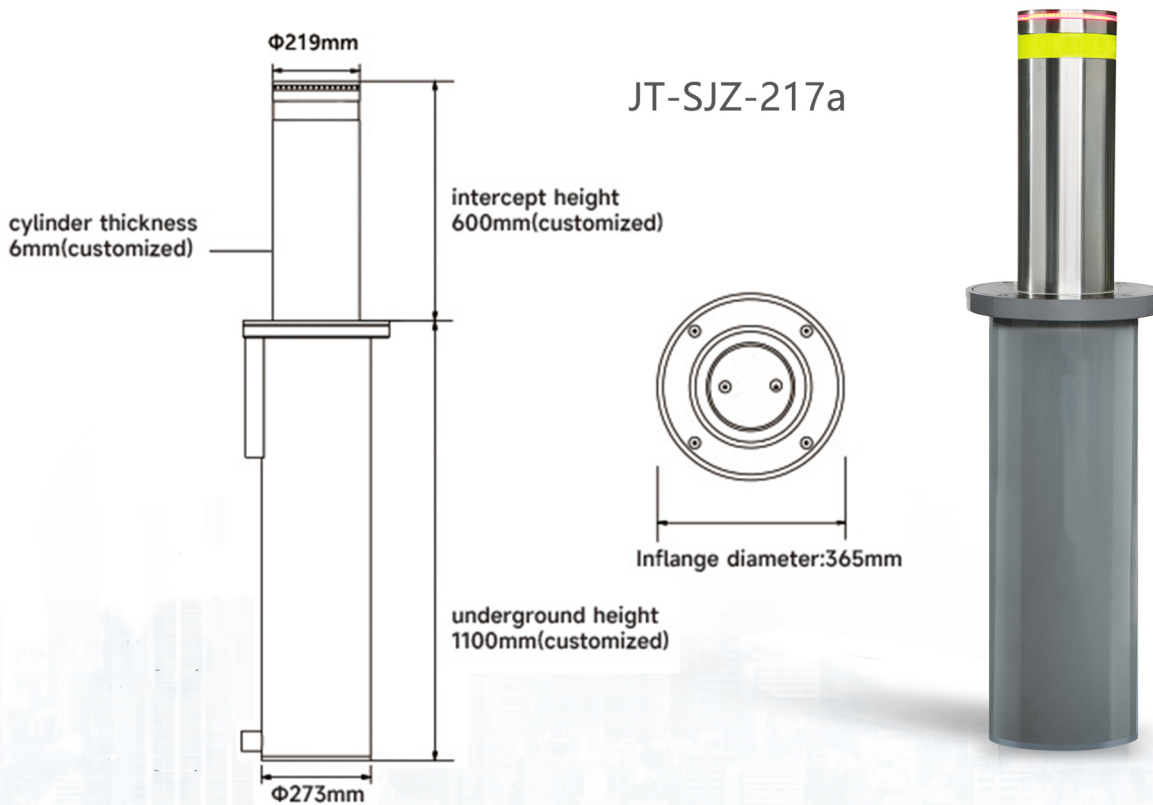




# Automatic Hydraulic Bollard

The internal structure of the automatic hydraulic lifting bollard is made of stainless steel, embedded as hot-dip galvanized seamless pipe, the surface electrostatic powder is not sprayed with strong corrosion resistance, the lifting device is an electromechanical hydraulic integrated design, driven by the hydraulic system and PLC control of the moving bollard rise and fall fast, stable operation. Intelligent control system can realize a variety of optional functions, but also can be linked with the computer, remote central control, mobile APP control, complete functions, stable performance.

Optional components include: ultra-bright LED warning light, equipment status display device, vehicle detection device, backup power relief module, automatic detection heating device, etc.



Using 6mm thickness 304# stainless steel bollard cover.



304# stainless steel seamless steel pipe



Dustproof and waterproof protection grade IP68.



License plate recognition linkage and remote control can be linked with warning lights, access control systems, etc.



Convenient drainage system and ensure the performance and service life of the lifting bollard.



The ultra-high and low temperature, lifting bollard can operate normally in the environment of -40 C ~70 C.

## Specification

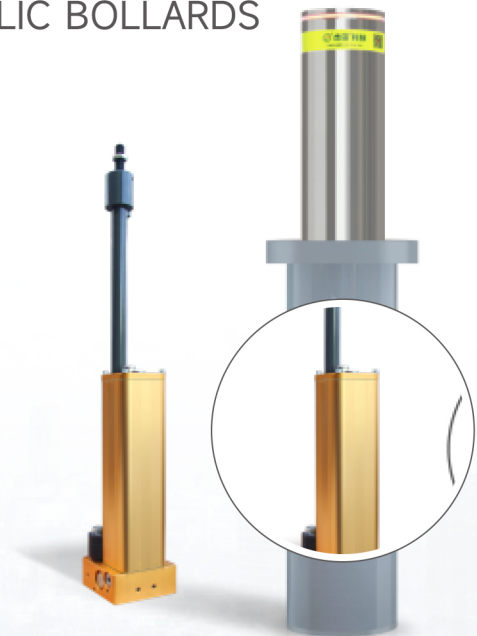
1. Cylinder diameter: 219mm(customized)
2. Rising/intercept height: 600mm(customized)
3. Thickness of cylinder: 6mm(customized)
4. Material: 304# stainless steel, surface polish 1.0
5. Edge of flange: Thickness 8mm
6. Flange: 304 stainless steel, diameter: 365mm
7. Underground base diameter: 273mm(customized)
8. Underground base thickness: 3.0mm
9. Underground base height: 1100mm(customized)
10. Underground surface: Anti corrosion coating
11. Drive mode: Hydraulic
12. Voltage: AC 220V(customized)
13. Rising time: 4~5s
14. Warning sign: LED light and 3M reflective film
15. Emergency function: EPS emergency and one-bottom drop
16. Wire control buttons
17. Motor power: 320W
18. Protection level: IP68
19. Working temperature: -40°C~70°C
20. Brand: Customized



## Control system



## HYDRAULIC BOLLARDS



## Specification for controller

1. Input voltage: AC 220V
2. Control voltage: 220V
3. Protection level: IP55
4. Function: all rising, all dropping Group control
5. Install way: outdoor; Emergency linkage system
6. Control method: wireless remote control
7. Control core: PLC programmable controller
8. Remote control distance ≥ 50m;

## Technical specification

1. Motor: 0.3KW 220V
2. Pump: 1.25cc/rev
3. Solenoid valve: DC12V
4. Oil bank: diameter 20mm,  
Piston rod diameter: 16mm, distance of run: 610mm