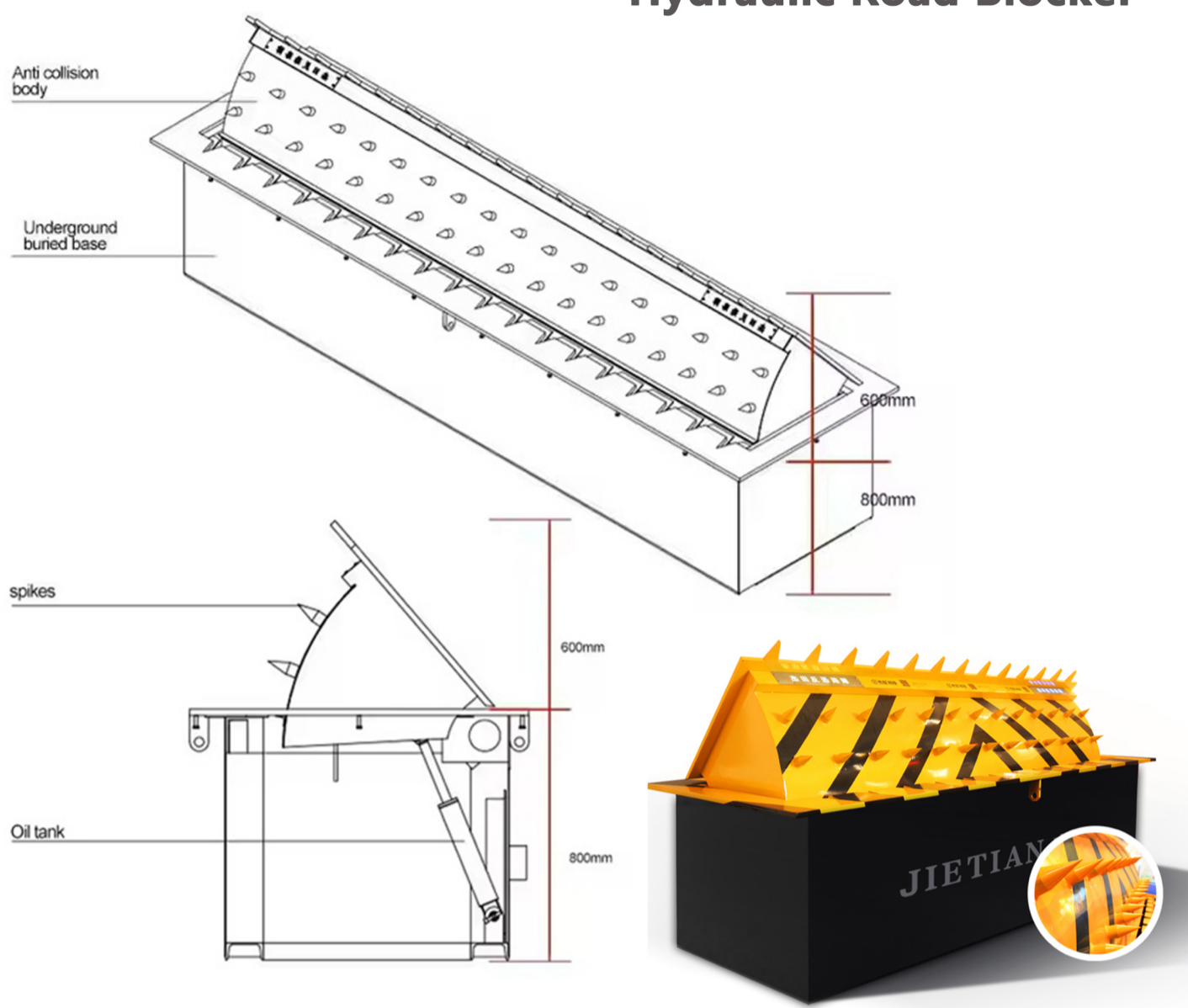




Hydraulic Road Blocker



Control system



Technical Parameters

Input Voltage	Single-phase 220VAC/Three-phase380VAC
Output Voltage	Single-phase 220VAC/Three-phase380VAC
Mounting Position	Ground/Wall-mounted Indoors/Outdoors
Waterproof Rate	IP55
Material	Stainless steel/Galvanized sheet
Control Method	Remote Controls/Mobile/Others
Control Motherboards	PLC
Transmission Method	4G/5G/WIFI/LAN/WAN
Backup	Battery
Public Order Drill	Support
Power Outage Decline	Support
Remote Control	Support
Buzzers	Support
Traffic Signal	Support
Ground Sensor Linkage	Support
License Plate Recognition	Support

Wired console



Technical Parameters

Control Method	Wire
Control Distance	≤200m
Control Button	Rise, Decline, Stop

Remote control



Technical Parameters

Control Method	Wireless, 315MHz(Encryption)
Control Distance	≤50m
Control Button	Rise, Decline, Stop
Encryption	Adopts FM modulation, anti-interference, encryptor to ensure transmission signal security

Control system



Technical Parameters

Motor Voltage	380VAC
Motor Power	5.5KW
Solenoid Valve Voltage	24VDC
Hydraulic Pump Flow	70L/min
Work Pressure	0-70bar
Fuel Tank Capacity	70L
Size	LxWxH) 605mm * 530mm * 780mm



Control system

